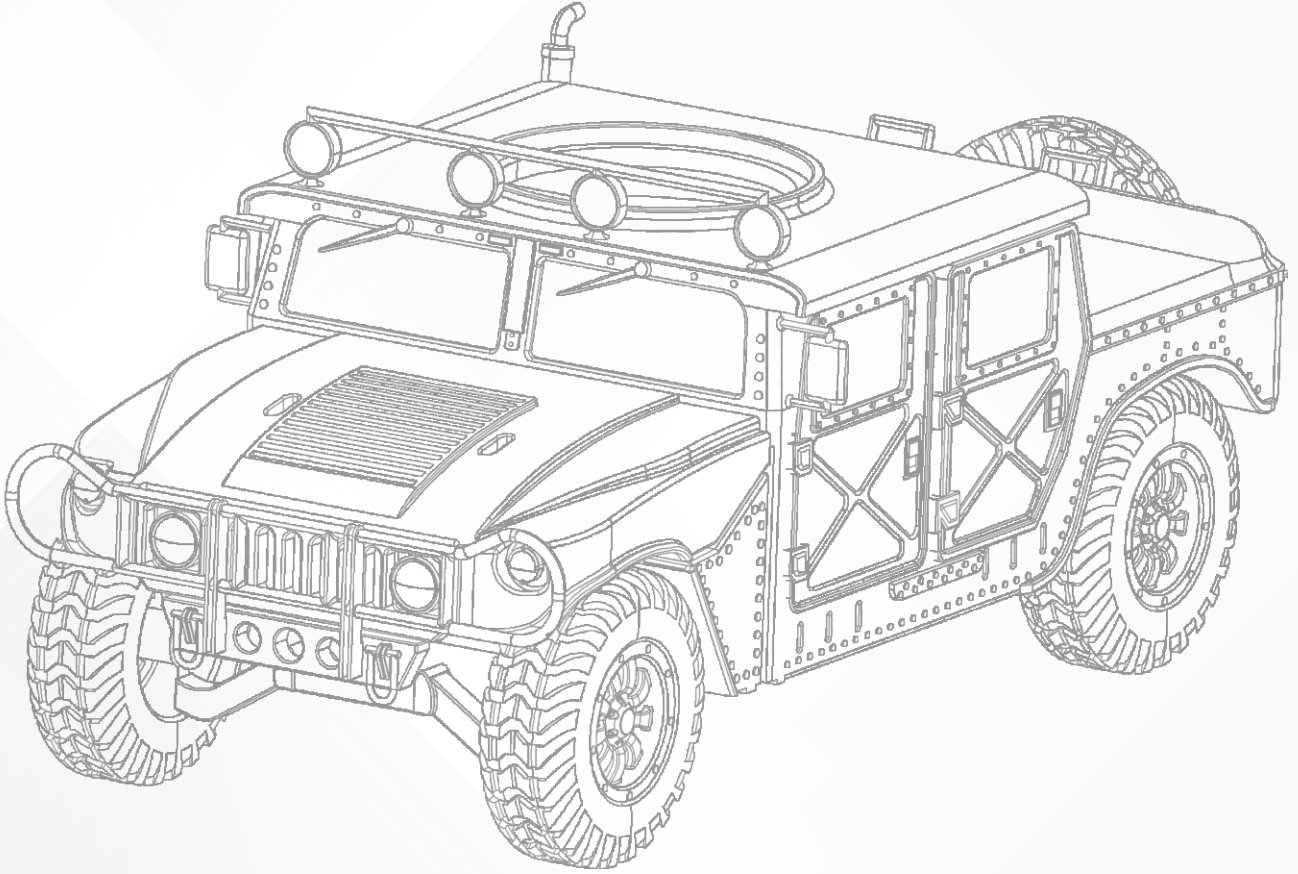


TEKOM

Savunma ve Havacılık Sanayi A.Ş.



ASKERİ TİP SELENOİDLER
MILITARY TYPE SOLENOIDS

HAKKIMIZDA

Kuruluş tarihi olan 2000 yılından bu yana **TEKOM**, Zırhlı Araç Aydınlatmaları, Askeri Tip Limit Switchler, Kontrol Kutuları, DC-DC dönüştürücüler, Güç Röleleri, Güç Kaynakları gibi elektromekanik alanlarda yürüttüğü çalışmalar sonucunda geliştirdiği teknoloji ve elde ettiği bilgi birikimini kullanarak Türkiye pazarında savunma ve güvenlik ihtiyaçlarına yönelik yurtdışı kaynaklı ürünlerin alternatif üreticisi olmuştur.

Dünyada ve ülkemizde artan güvenlik ihtiyaçları doğrultusunda,

TEKOM;

- Zırhlı Araç ve Havacılık Aydınlatma Ürünleri
- Askeri Tip Limit Switchler
- Kontrol Kutuları
- Güç Kaynakları
- Askeri ve Endüstriyel Tip Güç Röleleri
- Sensörler (Hız / Manyetik / Sıcaklık / Basınç)
- Askeri Standartta Kumanda ve Dağıtım Kutuları
- Elektronik Kartlar
- Servo Motor ve Sürücüler
- Led Projektör (Searchlight)



alanlarında faaliyet göstermektedir.

TEKOM Sistem çözümlerinde, tasarımdan lojistik aşamasına kadar %100 yerli imkanları kullanarak müşterilerine yüksek teknoloji kaliteli ürünler sunar.

ABOUT US

Since 2000, **TEKOM** has been working in electromechanical field such as Armored Vehicle Lighting, Military Type Limit Switches, Control Boxes, DC-DC Converters, Power Relays and Power Supplies. It has become an alternative producer for foreign based defense and security products using self-developed technology and knowledge in Turkish market. In accordance with increased security requirements in the world and our country,

TEKOM;

- Armored Vehicle and Aircraft Lighting Products
- Military Type Limit Switches
- Control Boxes
- Power Supplies
- Military and Industrial Type Power Relays
- Sensors (Encoder / Magnetic / Heat / Pressure)
- Military Standard Control and Distribution Boxes
- Electronic Boards
- Servo Motor and Drivers
- Led Searchlight Projector



Works such as areas.

TEKOM provides products with high technology and quality to customers using completely native facilities from design to logistics stage in system solutions.

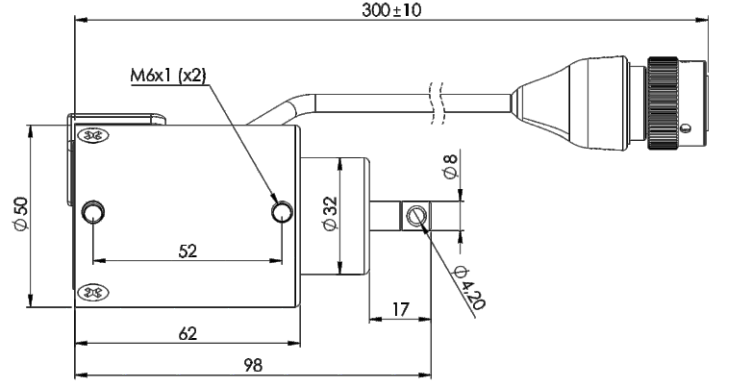


TEKOM

Türkiye
Discover
the potential

SELENOİD SOLENOID

P/N: 02-2300419

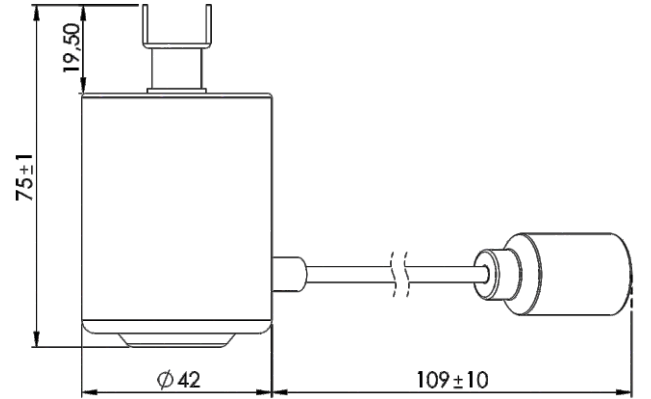


Teknik Özellikler / Technical Specifications

- Tetik Selenoidi / Trigger Solenoid
- Çalışma Voltajı: 18-32 VDC / Operating Voltage: 18-32 VDC
- Çalışma Akımı: 9 A @28 VDC / Operating Current: 9 A @28VDC
- Strok: 7 ± 1 mm / Stroke: 7 ± 1 mm
- Çekme Kuvveti: 10 kg (100 N) @28 VDC / Pull Force: 10 kg (100 N) @28 VDC
- Konnektör: VG95328J12-3PN / Connector: VG95328J12-3PN

SELENOİD SOLENOID

P/N: 01-1100419



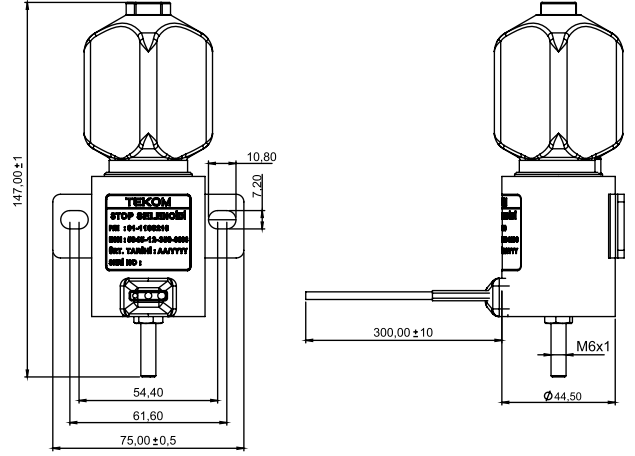
Teknik Özellikler / Technical Specifications

- Tetik Selenoidi / Trigger Solenoid
- NSN: 5945-27-008-6083
- Çalışma Voltajı: 18-32 VDC / Operating Voltage: 18-32 VDC
- Çalışma Akımı: 4,5 A @28 VDC / Operating Current: 4,5 A @28 VDC
- Strok: 13 ± 1 mm / Stroke: 13 ± 1 mm
- İtme Kuvveti: 2,5 kg (25 N) @28 VDC / Push Force: 2,5 kg (25 N) @28VDC
- Soket: MS27142-3 / Socket: MS27142-3



STOP SELENOİD STOP SOLENOID

P/N: 01-1100210

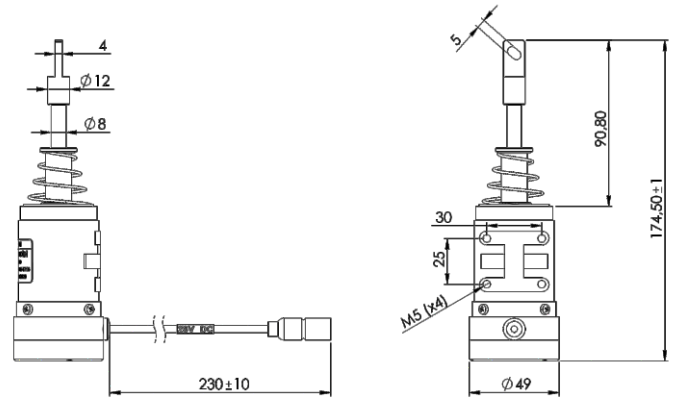


Teknik Özellikler / Technical Specifications

- Stop Selenoidi / Stop Solenoid
- NSN: 5945-12-350-6896
- Çalışma Voltajı: 18-32 VDC / Operating Voltage: 18-32 VDC
- Çalışma (İtme) Akımı: 27 A @28 VDC / Operating (Push) Current: 27 A @28 VDC
- Çalışma (Tutma) Akımı: 0,5 A @28 VDC / Operating (Hold) Current: 0,5 A @28 VDC
- Strok: 28 ± 1 mm / Stroke: 28 ± 1 mm
- İtme Kuvveti: 9 kg (90 N) @28 VDC / Push Force: 9 kg (90 N) @28 VDC

SELENOİD SOLENOID

P/N: 01-1100519



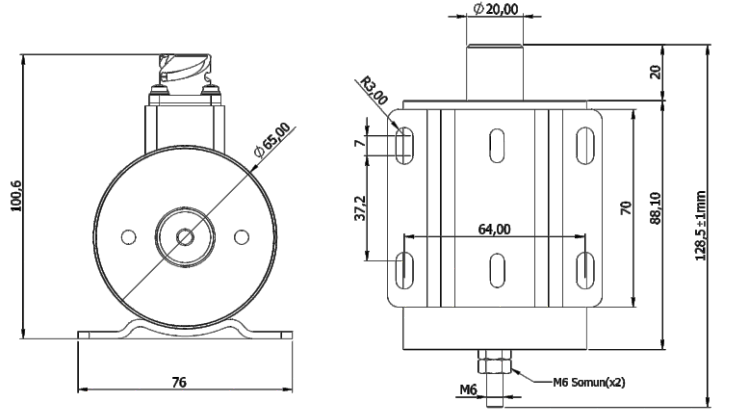
Teknik Özellikler / Technical Specifications

- Gaz Selenoidi / Gas Solenoid
- NSN: 5945-27-008-5716
- Çalışma Voltajı: 18-32 VDC / Operating Voltage: 18-32 VDC
- Çalışma Akımı: 0,3 A @28 VDC / Operating Current: 0,3 A @28 VDC
- Strok: 23 ± 1 mm / Stroke: 23 ± 1 mm
- Çekme Kuvveti: 0,75 kg (7,5 N) @28 VDC / Pull Force: 0,75 kg (7,5 N) @28 VDC
- Socket: MS27144-1 / Socket: MS27144-1



YÜKSEK GÜÇLÜ DOĞRUSAL SELENOİD HIGH POWER LINEAR SOLENOID

P/N: 01-1100721



Teknik Özellikler / Technical Specifications

- Çalışma Voltajı: 18-32 VDC / Operating Voltage: 18-32 VDC
- Çalışma Akımı: 14.4 A @24 VDC / Operating Current: 14.4 A @24VDC
- Strok: 20 mm ± 2 mm / Stroke: 20 mm ± 2 mm
- Çekme Kuvveti: 15 kg (150 N) @24 VDC / Pull Force: 15 kg (150 N) @24 VDC
- Konnektör: VG95234A-10SL-3PN / Connector: VG95234A-10SL-3PN





Certificate of Registration

This certificate has been awarded to

TEKOM SAVUNMA VE HAVACILIK SAN. A.Ş.
Ertuğrul Gazi Mah. Doğanlar Sok. No:27/A Kartepe KOCAELİ, Türkiye

in recognition of the organization's Quality Management System which complies with

ISO 9001:2015

The scope of activities covered by this certificate is defined below

Design, Production, Sales, Import and Export of Electrical, Electronic, Electromechanical, Control Systems and Lighting Systems of Defense Industry, Aviation and Automotive Spare Parts Produced in its Own Facility

Certificate Number 211017/A/0001/UK/En			
Date of Issue of Certification Cycle	Issue Number	Certificate Expiry Date	Certification Cycle
10 June 2024	1	08 June 2026	1
Revision Date	Revision Number	Original Certificate Issue Date	Scheme Number
10 June 2024	1	09 June 2023	n/a

For detailed explanation for the data fields above, refer to <http://www.urs-holdings.com/logos-and-regulations>



Certificate of Registration

This certificate has been awarded to

TEKOM SAVUNMA VE HAVACILIK SAN. A.Ş.
(Central Function) Ertuğrul Gazi Mah. Doğanlar Sok. No:27/A Kartepe KOCAELİ, Türkiye

In recognition of the Organization's Quality Management System which Complies with and has been Audited in Accordance with the Aerospace Sector Certification Scheme EN9104-001:2013 and Meeting the Requirements of ISO 9001:2015 and the Relevant AS Scheme Documentation as Defined below, for the Activities Described in the Scope of this Certificate (URS is Accredited under the control of the ICOP Scheme) which complies with

AS 9100D & ISO 9001:2015

The scope of activities covered by this certificate is defined below

Design and Manufacturing of Interior and Exterior Led Lighting Systems, Switches, Temperature Sensors and Pressure Sensors (Multi-Site)

Certificate Number 211017/B/0001/UK/En			
Date of Issue of Certification Cycle	Issue Number	Certificate Expiry Date	Certification Cycle
27 July 2023	1	26 July 2026	1
Revision Date	Revision Number	Original Certificate Issue Date	Scheme Number
08 August 2024	3	27 July 2023	n/a

For detailed explanation for the data fields above, refer to <http://www.urs-holdings.com/logos-and-regulations>



NOTLAR

NOTES

TEKOM

Savunma ve Havacılık Sanayi A.Ş.



Ertuğrul Gazi Mh. Doğanlar Sk. No:27/A
Kartepe- Kocaeli / TURKEY



Yeniköy Merkez Mh. Çağdaş Cad. No:41
Başiskele- Kocaeli / TURKEY



+90 262 371 53 13 - 14



+90 262 371 18 28



info@tekom.com.tr



[tekomsavunmahavacilik](https://www.instagram.com/tekomsavunmahavacilik)



www.tekom.com.tr